



Genuine Parts

PRECAUTIONS:

- ❑ Read ALL instructions before installing instrument.
- ❑ Follow ALL safety precautions when working on vehicle-wear safety glasses!
- ❑ ALWAYS disconnect (-) negative battery cable before making electrical connections.

HELP?:

- ❑ If after reading these instructions you don't fully understand how to install your instrument(s), contact your local Stewart Warner distributor, or contact our Technical Support Team toll free at **1-800-676-1837**
- ❑ Additional applications information may be found at www.stewartwarner.com.

GENERAL APPLICATION:

- ❑ Top mounted fuel level sender for tank depths of 6"-12".

Installation Instructions
391/439 Fuel Level Senders

1

2

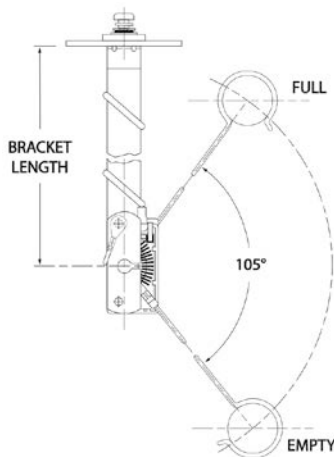
CAUTION:

- ❑ Use extreme caution when working around fuel.
- ❑ Work in well ventilated area and keep all hot materials away.
- ❑ NEVER smoke near fuel tank. Extinguish all smoking material and open flames while working near fuel source.
- ❑ Consult vehicle service manual if fuel tank must be removed
- ❑ A new gasket must be placed between the flange of the sender and the flange of the tank during final installation.

SENDER ADJUSTMENT/INSTALLATION (Figures 1-4):

1. Determine bracket length required for tank depth and adjust the rheostat position as shown on table (**Figure 1 and 3**)
2. Determine float arm length required for tank depth and cut float arm wire to cut length shown on table (**Figure 2 and 4**).
3. Determine Bent Length shown on table (**Figure 4**) and bend wire at right angle (90°) in direction of float (**Figure 2**).
4. Align arm with slot in the rheostat bracket. Insert the bent pivot end of the float arm into the hole and snap the wire into the follower (**Figure 2**).
5. Secure fuel sender in tank using appropriate hardware for tank being used. Be sure to tighten hardware appropriately to ensure proper sealing of gasket. A new gasket must be placed between the flange of the sender and the flange of the tank during final installation.

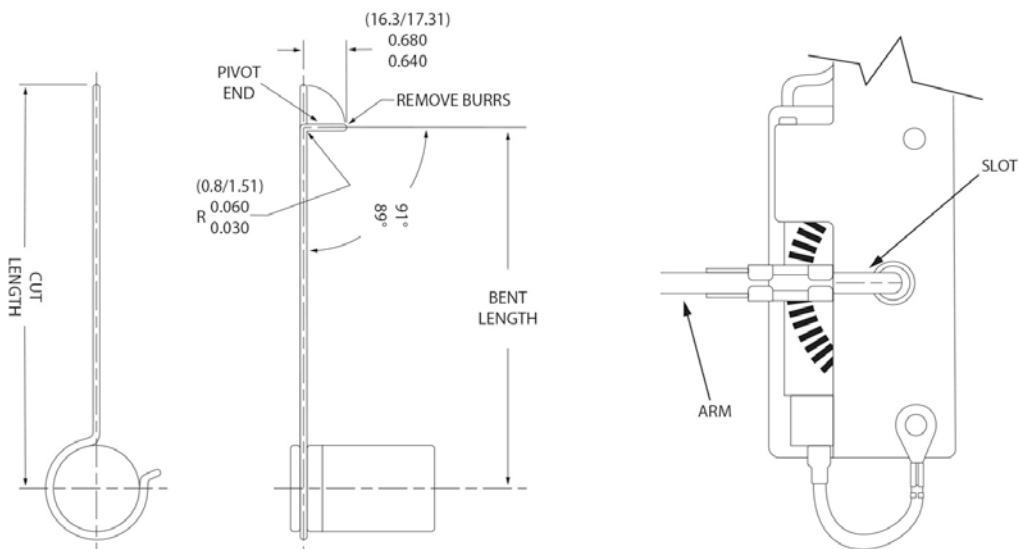
Figure 1



3

4

Figure 2



5

6

Figure 3

TANK DEPTH	BRACKET LENGTH	TANK DEPTH	BRACKET LENGTH	TANK DEPTH	BRACKET LENGTH
10.00	5.19	15.00	7.69	20.00	10.19
10.50	5.44	15.50	7.94	20.50	10.44
11.00	5.69	16.00	8.19	21.00	10.69
11.50	5.94	16.50	8.44	21.50	10.94
12.00	6.19	17.00	8.69	22.00	11.19
12.50	6.44	17.50	8.94	22.50	11.44
13.00	6.69	18.00	9.19	23.00	11.69
13.50	6.94	18.50	9.44	23.50	11.94
14.00	7.19	19.00	9.69	24.00	12.19
14.50	7.44	19.50	9.94		

7

8

Figure 4

TANK DEPTH	CUT LENGTH	BENT LENGTH	TANK DEPTH	CUT LENGTH	BENT LENGTH	TANK DEPTH	CUT LENGTH	BENT LENGTH
10.00	5.94	5.19	15.00	9.06	8.31	20.00	12.19	11.44
10.50	6.25	5.50	15.50	9.25	8.50	20.50	12.50	11.75
11.00	6.56	5.81	16.00	9.63	8.88	21.00	12.75	12.00
11.50	6.87	6.12	16.50	9.94	9.19	21.50	13.13	12.38
12.00	7.19	6.44	17.00	10.25	9.50	22.00	13.44	12.69
12.50	7.50	6.75	17.50	10.56	9.81	22.50	13.75	13.00
13.00	7.81	7.06	18.00	10.87	10.12	23.00	14.06	13.31
13.50	8.13	7.38	18.50	11.19	10.44	23.50	14.37	13.62
14.00	8.44	7.69	19.00	11.50	10.75	24.00	14.69	13.94
14.50	8.75	8.00	19.50	11.87	11.12			

9

10

WARRANTY INFORMATION:

TWO (2) YEAR LIMITED WARRANTY. Stewart Warner products are warranted against defects in workmanship and materials for a period of two (2) years from the date of purchase. Proof-of-purchase is required; otherwise, the warranty period shall default to two (2) years from date-of-manufacture (as indicated by the date code on the product). See detailed Warranty Policy for other Terms & Conditions.

STEWART WARNER
1-800-676-1837
www.stewartwarner.com